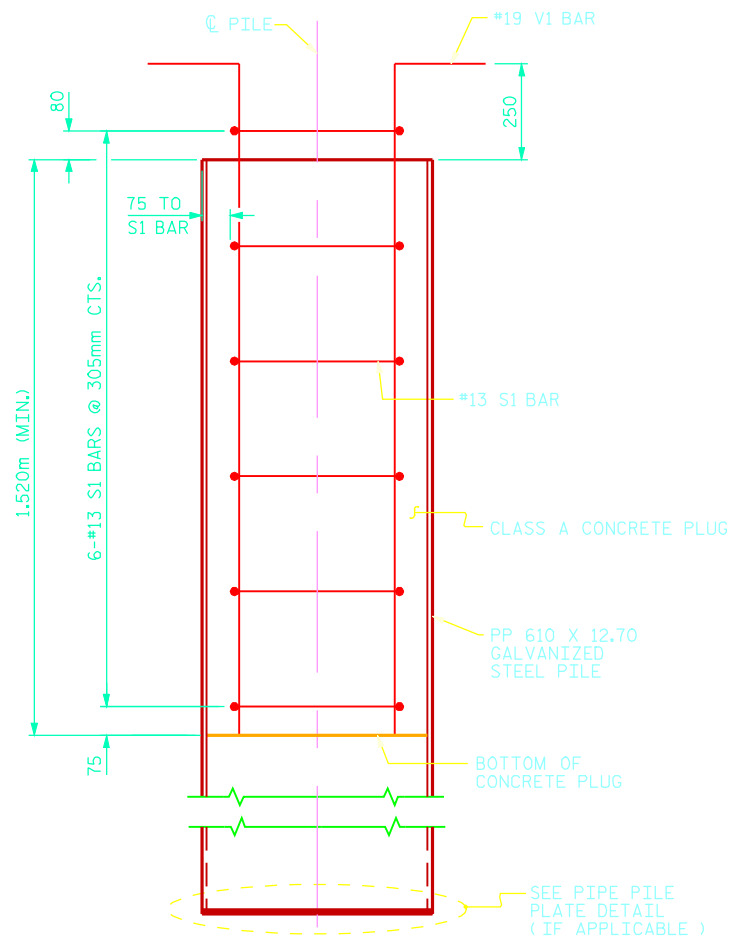


PLAN



ELEVATION

PP 610 X 12.70 GALVANIZED STEEL PILE
(OPEN OR CLOSED END)

NOTES

STEEL PIPE PILES SHALL BE OF UNIFORM DIAMETER AND MEET THE REQUIREMENTS OF ASTM A252, GRADE 3 MODIFIED (344.7 MPa YIELD STRENGTH).

GALVANIZE STEEL PIPE PILES IN ACCORDANCE WITH SECTION 1076 OF THE STANDARD SPECIFICATIONS UNLESS METALLIZING IS REQUIRED. GALVANIZING OR METALLIZING PIPE PILE PLATES IS NOT REQUIRED.

REMOVE AND REPLACE OR REPAIR TO THE SATISFACTION OF THE ENGINEER PILES THAT ARE DAMAGED, DEFORMED OR COLLAPSED DURING INSTALLATION OR DRIVING.

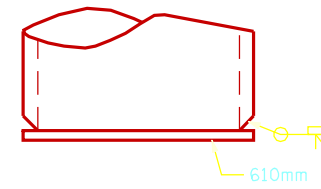
PILE SPLICES SHALL BE IN ACCORDANCE WITH THE STANDARD SPECIFICATIONS AND AWS D1.1.

FOR CLOSED END PIPE PILES, REMOVE ALL SOIL AND WATER FROM INSIDE THE PILES JUST PRIOR TO PLACING REINFORCING STEEL AND CONCRETE FOR THE CONCRETE PLUG.

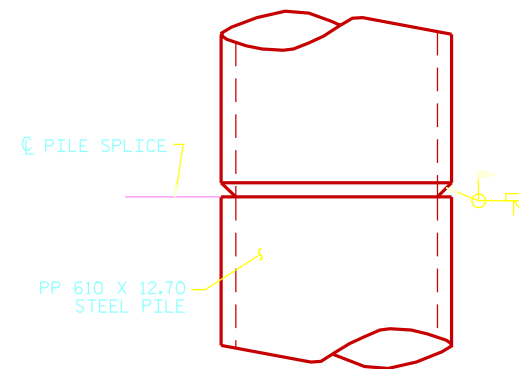
FOR OPEN END PIPE PILES, REMOVE ENOUGH SOIL AND WATER FROM INSIDE THE PILES TO CONSTRUCT THE CONCRETE PLUG WITHOUT FOULING THE CONCRETE.

FORM THE CONCRETE PLUG SUCH THAT THE REINFORCING STEEL OR CONCRETE DOES NOT MOVE AND THE CLEARANCE FROM THE REINFORCING STEEL TO THE INSIDE OF THE PILE IS MAINTAINED AFTER CONCRETE PLACEMENT. DO NOT PLACE CONCRETE IN THE BENT CAP UNTIL THE CONCRETE PLUG HAS ATTAINED A MINIMUM COMPRESSIVE STRENGTH OF 10.3 MPa.

THE REINFORCING STEEL, CLASS A CONCRETE, GALVANIZING, AND THE PIPE PILE PLATES, IF REQUIRED, ARE CONSIDERED INCIDENTAL TO THE CONTRACT UNIT PRICE BID PER METER FOR PP 610 X 12.70 GALVANIZED STEEL PILES.



PIPE PILE PLATE DETAIL
(IF APPLICABLE)



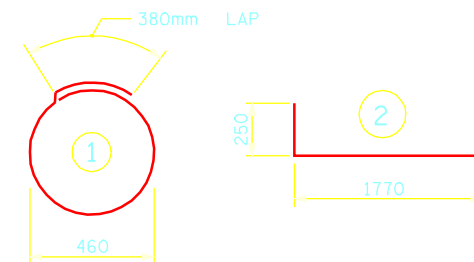
PIPE PILE SPLICE DETAIL

BILL OF MATERIAL FOR ONE
PP 610 X 12.70 STEEL PILE

BAR	NO.	SIZE	TYPE	LENGTH	WEIGHT
S1	6	#13	1	1840	11
V1	10	#19	2	2020	45
REINFORCING STEEL =				56	kg

CLASS A CONCRETE	
1.520m MINIMUM PLUG	0.4 CU. METER

BAR TYPES



ALL BAR DIMENSIONS ARE OUT TO OUT.

PROJECT NO. _____
_____ COUNTY
STATION: _____

STATE OF NORTH CAROLINA
DEPARTMENT OF TRANSPORTATION
RALEIGH
STANDARD
610mm STEEL
PIPE PILE

ASSEMBLED BY :	DATE :
CHECKED BY :	DATE :
DRAWN BY : TLA 8/05	ADDED 10/1/05
CHECKED BY : GM 9/05	REV. 5/1/06 TLA/GM

REVISIONS						SHEET NO.
NO.	BY:	DATE:	NO.	BY:	DATE:	TOTAL SHEETS
1			3			
2			4			